



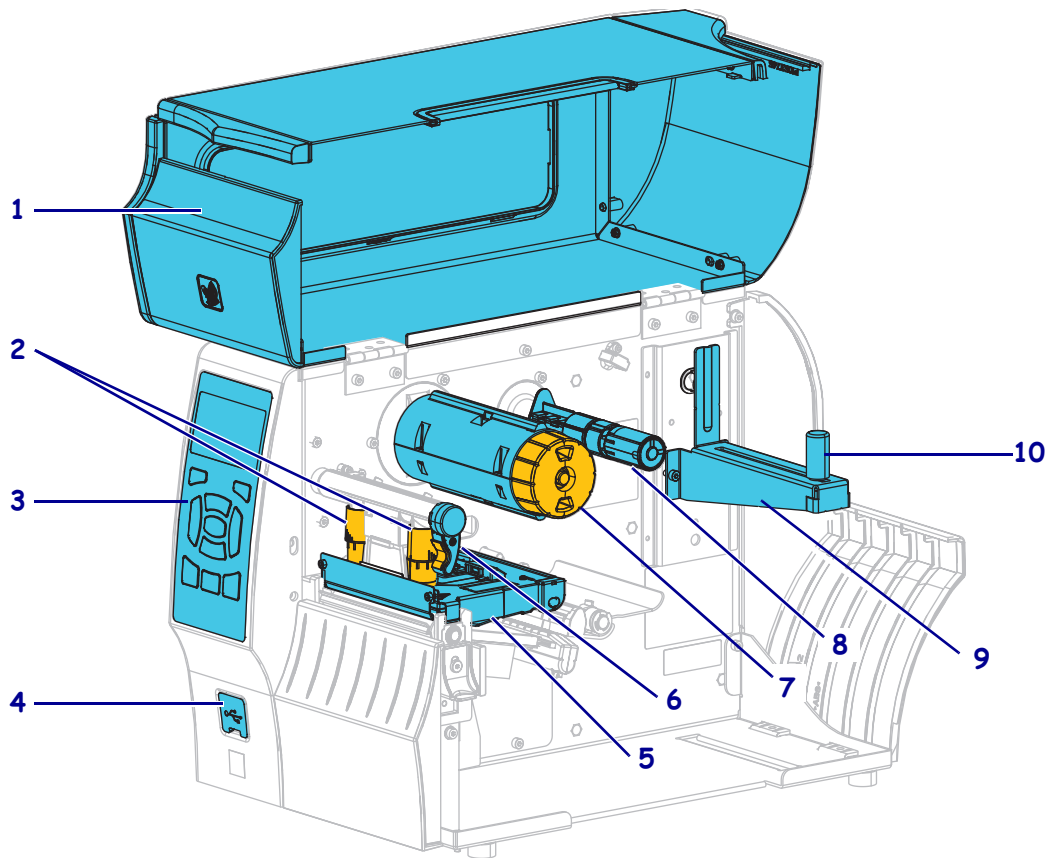
# ZT400™ Series Quick Reference Guide

Use this guide to operate your printer on a daily basis. For more detailed information, refer to the *User Guide*.

## Printer Components

Figure 1 shows the components inside the media compartment of your printer. Depending on printer model and the installed options, your printer may look slightly different. Familiarize yourself with these components before continuing with the printer setup procedure.

Figure 1 • Printer Components



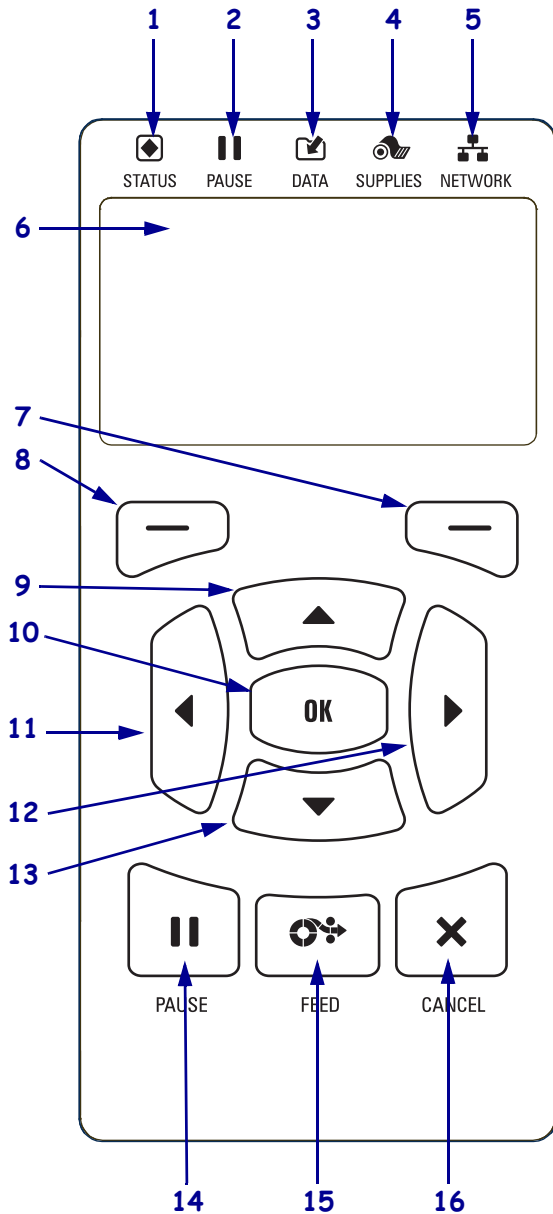
1	Media door
2	Printhead pressure adjustment toggles
3	Control panel
4	USB host port
5	Printhead assembly

6	Printhead-open lever
7	Ribbon take-up spindle
8	Ribbon supply spindle
9	Media supply hanger
10	Media supply guide

## Control Panel

The control panel (Figure 2) indicates the printer's current status and allows the user to control basic printer operation.

Figure 2 • Control Panel



1	STATUS light	These <b>indicator lights</b> show the current status of the printer. For more information, refer to the <i>User Guide</i> .
2	PAUSE light	
3	DATA light	
4	SUPPLIES light	
5	NETWORK light	
6	The <b>display</b> shows the printer's current status and allows the user to navigate the menu system.	
7	<b>RIGHT SELECT button</b>	These buttons execute the commands shown directly above them in the display.
8	<b>LEFT SELECT button</b>	
9	The <b>UP ARROW button</b> changes the parameter values. Common uses are to increase a value or to scroll through choices.	
10	The <b>OK button</b> selects or confirms what is shown on the display.	
11	The <b>LEFT ARROW button</b> , which is active only in the menu system, navigates to the left.	
12	The <b>RIGHT ARROW button</b> , which is active only in the menu system, navigates to the right.	
13	The <b>DOWN ARROW button</b> changes the parameter values. Common uses are to decrease a value or to scroll through choices.	
14	The <b>PAUSE button</b> starts or stops printer operation when pressed.	
15	The <b>FEED button</b> forces the printer to feed one blank label each time the button is pressed.	
16	The <b>CANCEL button</b> cancels label formats when the printer is paused. <ul style="list-style-type: none"> <li>• Press once to cancel the next label format.</li> <li>• Press and hold for 2 seconds to cancel all label formats.</li> </ul>	

## Preparing the Printer for Use

After you have familiarized yourself with the printer components, prepare the printer for use.

---

**Caution** • When you are loading media or ribbon, remove all jewelry that could come into contact with the printhead or other printer parts.

---



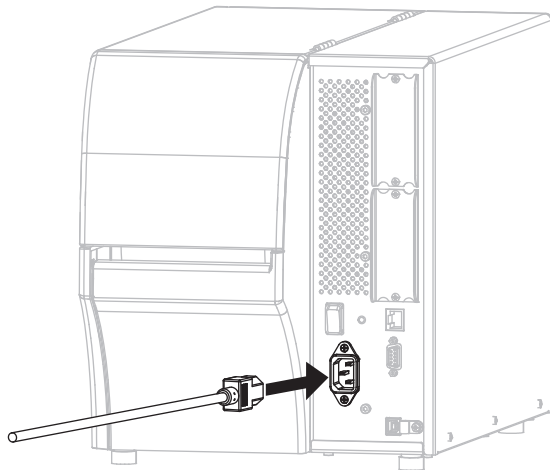
---

**Caution** • Before touching the printhead assembly, discharge any built-up static electricity by touching the metal printer frame or by using an anti-static wriststrap and mat.

---

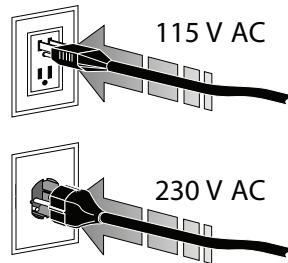
### To set up the printer, complete these steps:

1. Select a location for the printer that meets these conditions:
  - must be a solid, level surface of sufficient size and strength to hold the printer
  - must include enough space for ventilation and for accessing the printer components and connectors
  - should be within a short distance of an appropriate power outlet that is easily accessible
2. Unpack and inspect the printer. If necessary, report any shipping damage. For more information, refer to the *User Guide*.
3. Place the printer in the preselected location.
4. Plug the female end of the A/C power cord into the A/C power connector on the back of the printer.

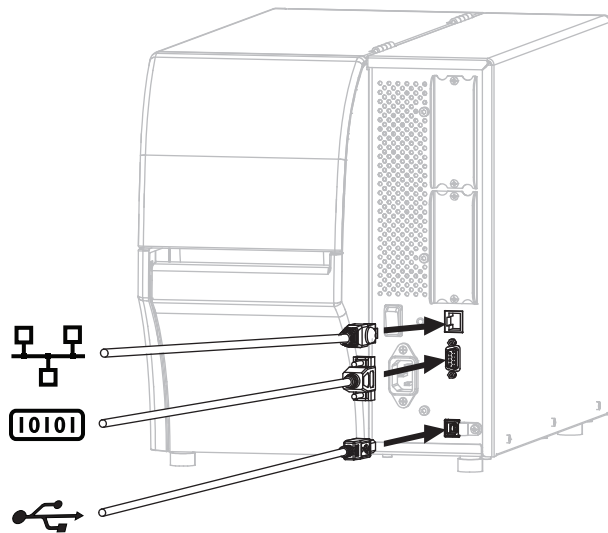


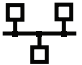


## 4 | Preparing the Printer for Use

5. Plug the male end of the A/C power cord into an appropriate power outlet.

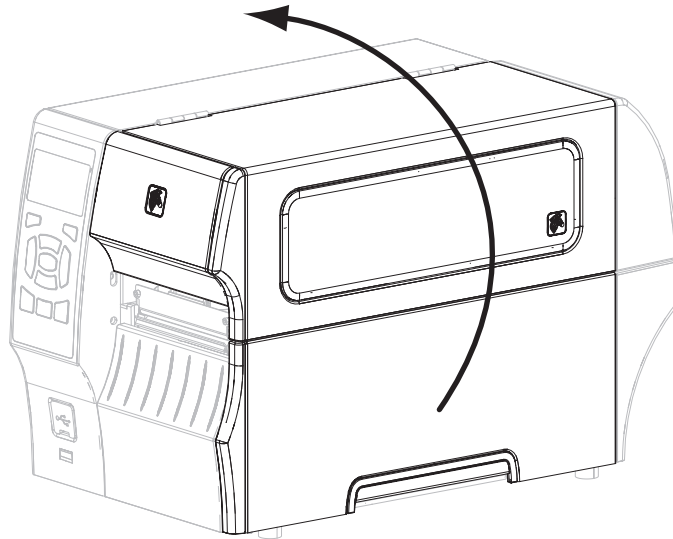


6. Connect the printer to a computer using one or more of the available connections. The standard connections are shown here. A parallel connection or a wireless connection may also be available on your printer.



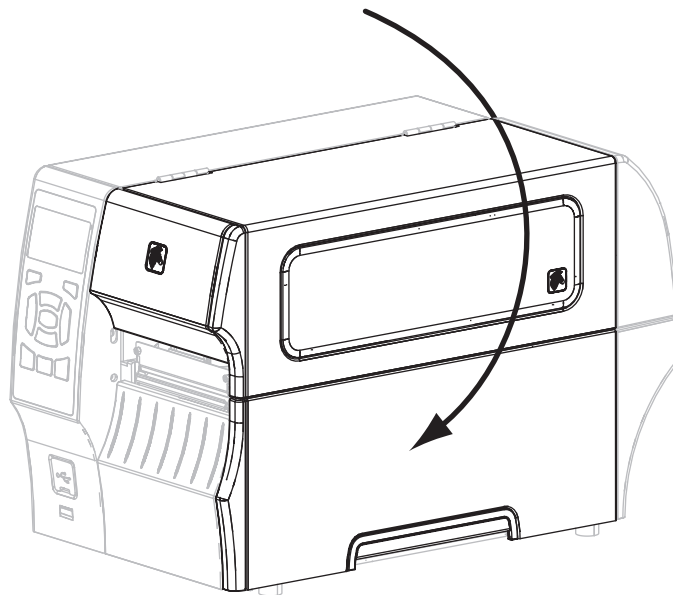
	Internal wired Ethernet print server
	Serial port
	USB port

7. Raise the media door.

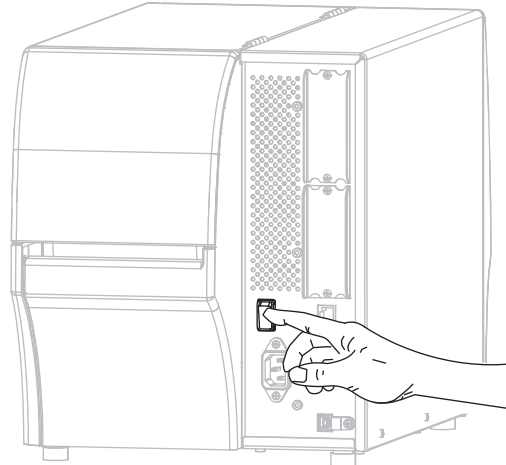


8. Load ribbon (if using Thermal Transfer mode) and media into the printer (see [Load Media and Ribbon on page 8](#)).

9. Close the media door.



10. To verify that the media and ribbon are loaded correctly, print a printer configuration label.
  - a. Press and hold the CANCEL button.
  - b. Turn on (I) the printer.



If the media and ribbon are loaded correctly, a printer configuration label prints. A sample label is shown here.

PRINTER CONFIGURATION	
Zebra Technologies	
ZTC ZT410-203dp1 ZPL	
XXXXXX-XX-XXXX	
+10.0	DARKNESS
10.0 IPS	PRINT SPEED
+000	TEAR OFF
TEAR OFF	PRINT MODE
CONTINUOUS	MEDIA TYPE
TRANSMISSIVE	SENSOR SELECT
THERMAL-TRANS	PRINT METHOD
832	PRINT WIDTH
1800	LABEL LENGTH
41000-71/1302-05637	PRINT HEAD ID
15.0IN 380MM	MAXIMUM LENGTH
CONNECTED	USB COMM.
BIDIRECTIONAL	PARALLEL COMM.
RS232	SERIAL COMM.
9600	BAUD
8 BITS	DATA BITS
NONE	PARITY
XON/XOFF	HOST HANDSHAKE
NONE	PROTOCOL
NORMAL MODE	COMMUNICATIONS
<*> 7EH	CONTROL PREFIX
<*> SEH	FORMAT PREFIX
<*> 20H	DELIMITER CHAR
ZPL II	ZPL MODE
CALIBRATION	MEDIA POWER UP
CALIBRATION	HEAD CLOSE
DEFAULT	BACKFEED
+000	LABEL TOP
+0000	LEFT POSITION
DISABLED	REPRINT MODE
049	WEB SENSOR
080	MEDIA SENSOR
051	RIBBON SENSOR
050	TAKE LABEL
027	MARK SENSOR
027	MARK MED SENSOR
009	TRANS GAIN
016	TRANS BASE
100	TRANS LED
128	RIBBON GAIN
128	MARK GAIN
050	MARK LED
DPCSWFXM	MODES ENABLED
	MODES DISABLED
832 8/MM FULL	RESOLUTION
2.0	LINK-OS VERSION
V75.19.72P23143 <-	FIRMWARE
1.3	XPL SCHEMA
6.5.0 0x0012.0x0045	HARDWARE ID
4096k	R: RAM
65536k	E: ONBOARD FLASH
NONE	FORMAT CONVERT
FW VERSION	IDLE DISPLAY
08/29/13	RTC DATE
18:57	RTC TIME
DISABLED	ZBI
2.1	ZBI VERSION
READY	ZBI STATUS
62 LABELS	NONRESET CNTR
62 LABELS	RESET CNTR1
62 LABELS	RESET CNTR2
680 IN	NONRESET CNTR
680 IN	RESET CNTR1
680 IN	RESET CNTR2
1.728 CM	NONRESET CNTR
1.728 CM	RESET CNTR1
1.728 CM	RESET CNTR2
EMPTY	SLOT 1
EMPTY	SLOT 2
0	MASS STORAGE COUNT
0	HID COUNT
OFF	USB HOST LOCK OUT
FIRMWARE IN THIS PRINTER IS COPYRIGHTED	

11. To test the connection between your printer and your computer, use a label design package to create a sample label and send it to the printer. Zebra recommends ZebraDesigner Pro. You can download this software from <http://www.zebra.com/software> and operate it in Demo mode to print a sample label.

## Load Media and Ribbon

Use the instructions in this section to load ribbon (if used) and media in Tear-Off mode. Ribbon is used with thermal transfer labels. For direct thermal labels, do not load ribbon in the printer. For instructions for loading fanfold media or for loading in different print modes, refer to the *User Guide*.

---

**Caution** • When you are loading media or ribbon, remove all jewelry that could come into contact with the printhead or other printer parts.

---



**Note** • In some of the drawings that follow, the printer is shown without a ribbon system to give you a better view of the components involved in media loading.

**To load ribbon and roll media in Tear-Off mode, complete these steps:**

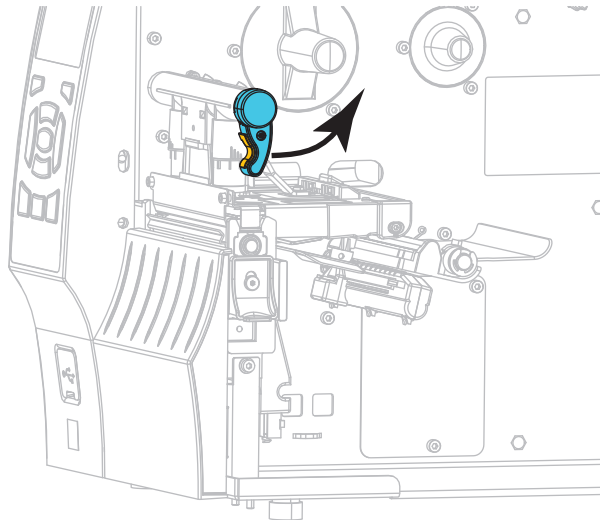
### Load Media



1. **Caution** • The printhead may be hot and could cause severe burns. Allow the printhead to cool.

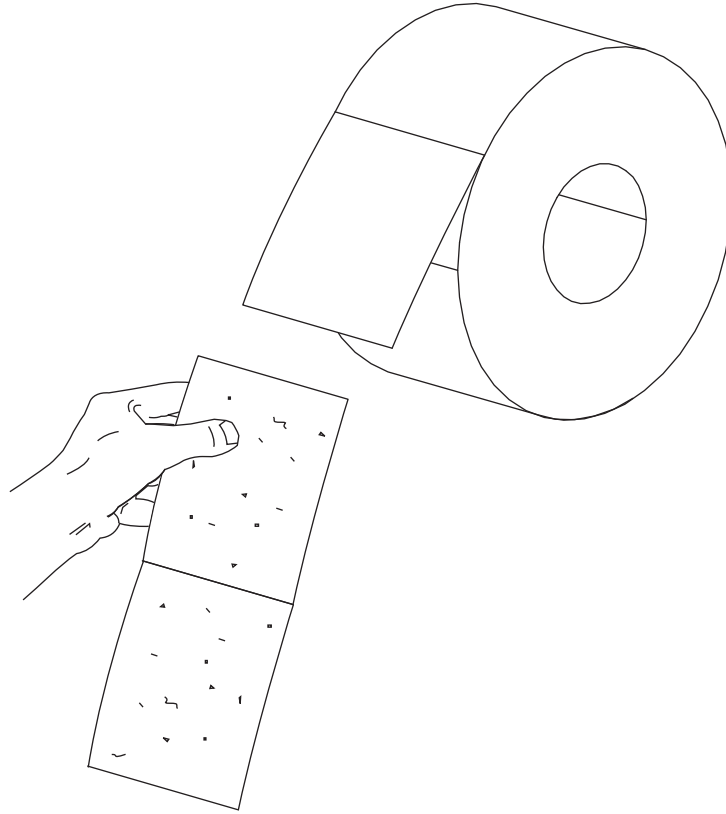
---

Open the printhead assembly by rotating the printhead-open lever.

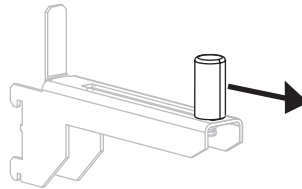




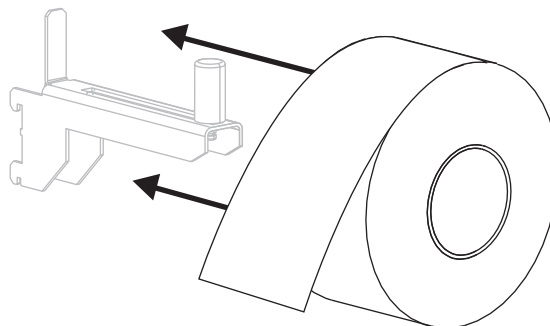
2. Remove and discard any tags or labels that are dirty or that are held by adhesives or tape.



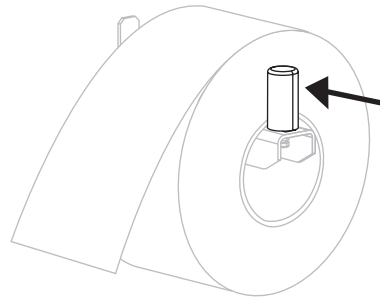
3. Pull out the media supply guide as far as it goes.



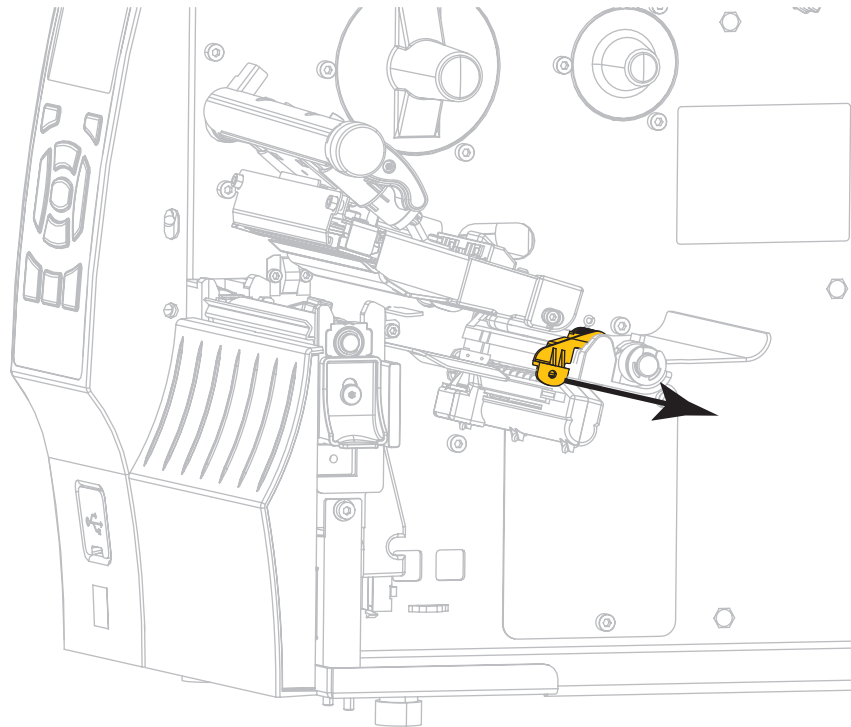
4. Place the roll of media on the media supply hanger. Push the roll as far back as it will go.



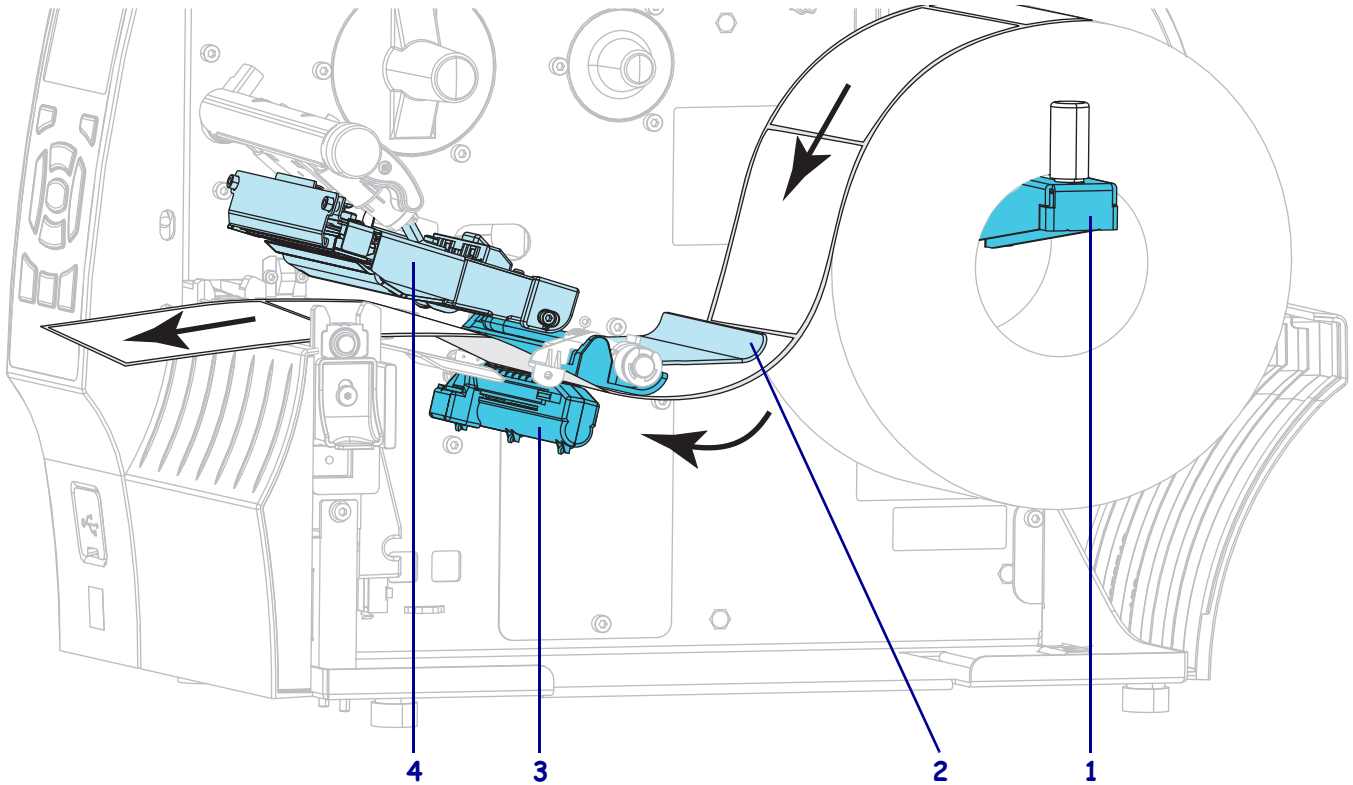
5. Slide in the media supply guide until it touches the edge of the roll.



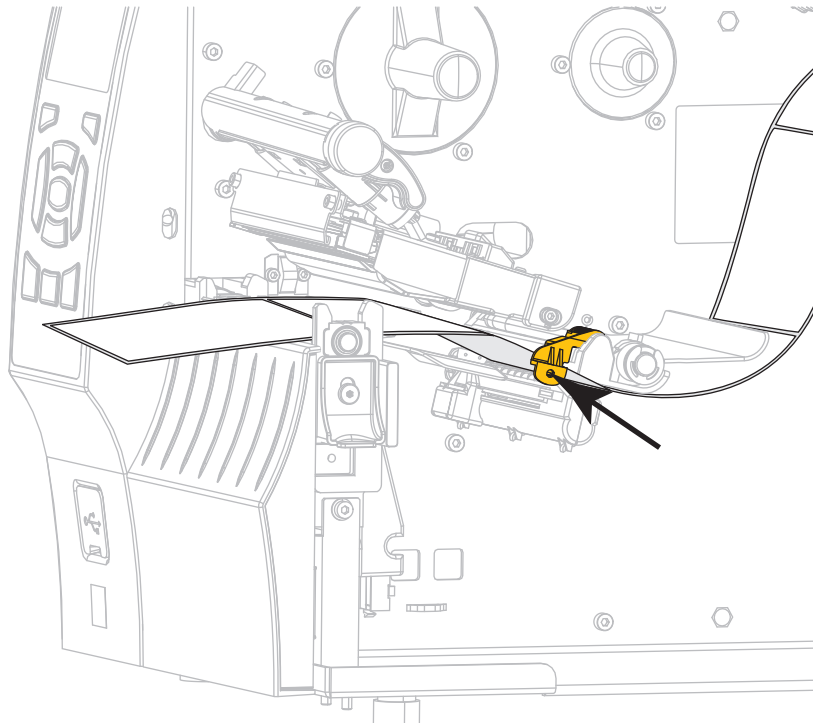
6. Slide the media guide all the way out.



7. From the media hanger (1), feed the media under the dancer assembly (2), through the media sensor (3), and under the printhead assembly (4). Slide the media back until it touches the inside back wall of the media sensor.



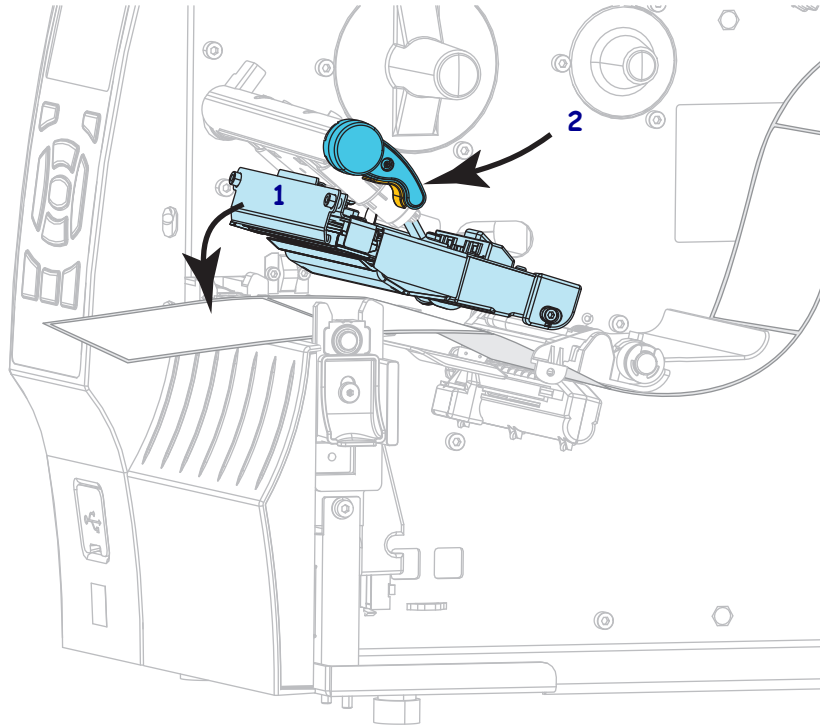
8. Slide in the media guide until it just touches the edge of the media.



9. Which type of media did you load into the printer?

If you loaded...	Then...
Direct Thermal media	Continue with <a href="#">step 10</a> .
Thermal Transfer media	Continue with <a href="#">step 12</a> .

10. Push down the printhead assembly (1), and then rotate the printhead-open lever (2) until it locks into place.



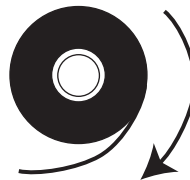
11. If necessary, press PAUSE to exit pause mode and enable printing.

**Load Ribbon**

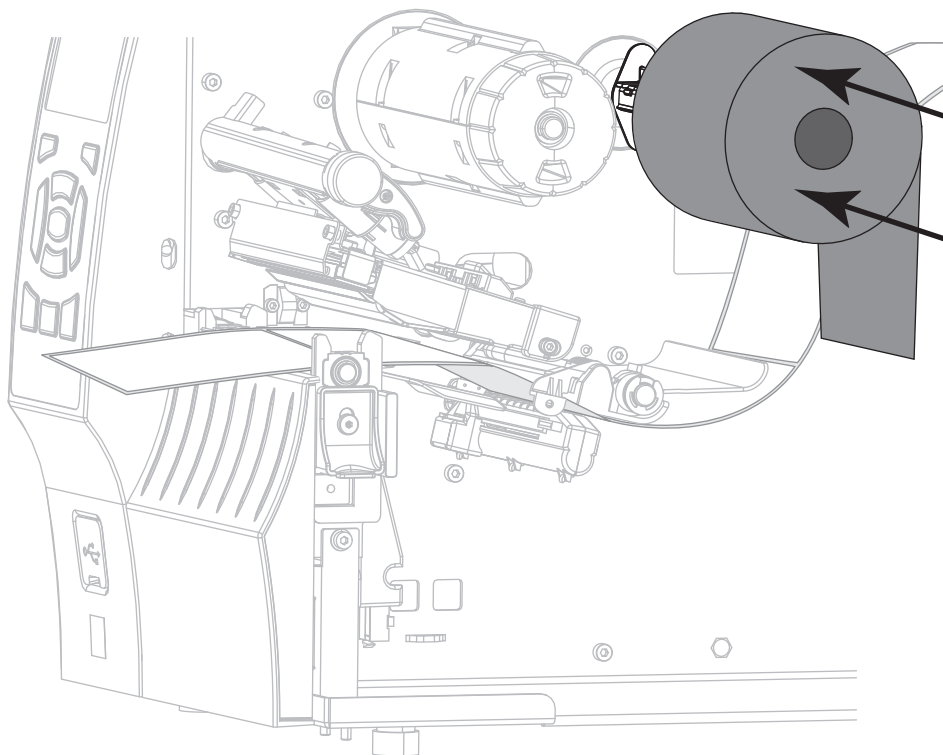


**Important** • Use ribbon that is wider than the media to protect the printhead from wear. Ribbon must be coated on the outside (refer to the *User Guide* for more information).

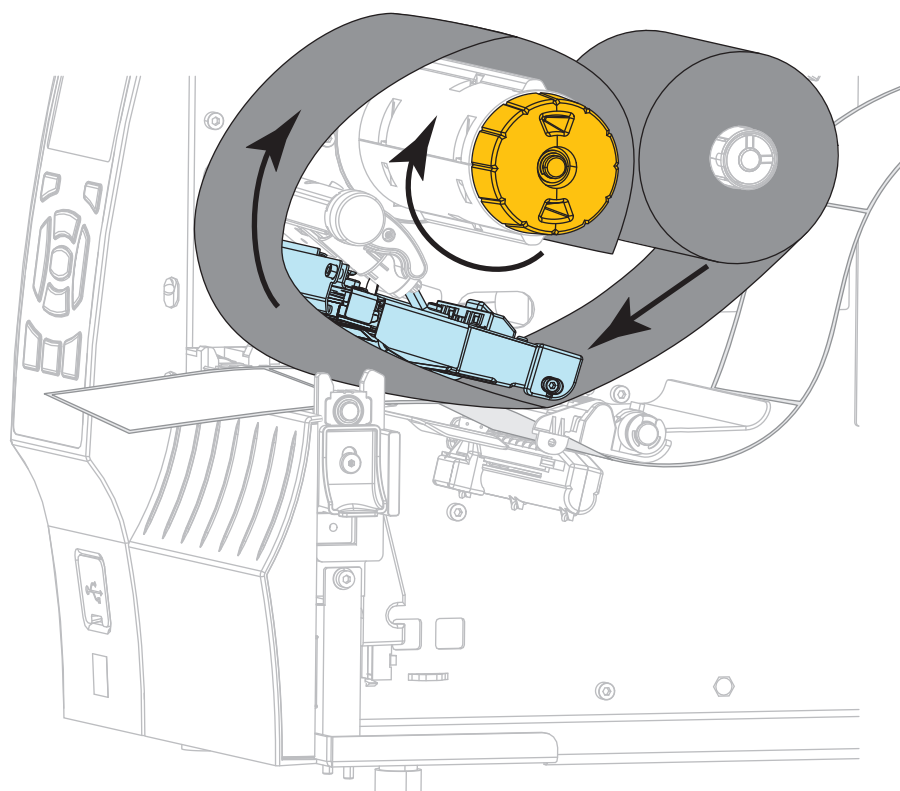
12. Position the ribbon with the loose end unrolling as shown.



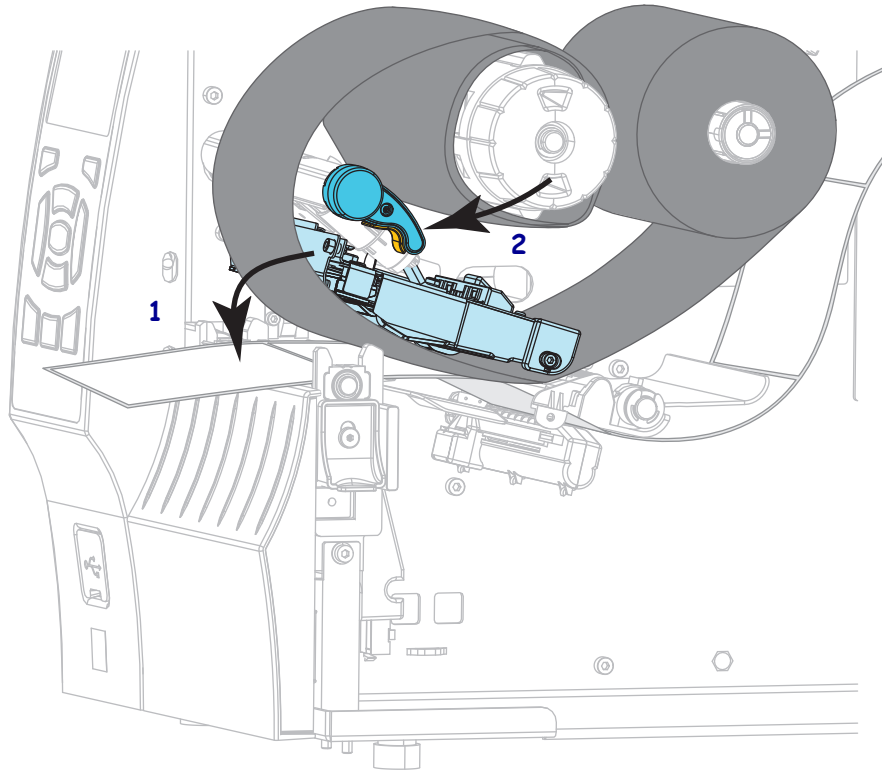
13. Place the roll of ribbon on the ribbon supply spindle. Push the roll back as far as it will go.



14. Slide the ribbon under the printhead assembly, and then wrap it several turns around the ribbon take-up spindle.



- 15.** Push down the printhead assembly (1), and then rotate the printhead-open lever (2) until it locks into place.



- 16.** If necessary, press PAUSE to clear any errors and enable printing.

## Remove Used Ribbon

Remove used ribbon from the ribbon take-up spindle each time you change the roll of ribbon.

### To remove used ribbon, complete these steps:

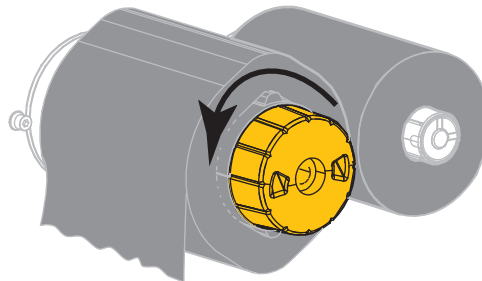
1. Has the ribbon run out?

If the ribbon...	Then
Ran out	Continue with the next step.
Did not run out	Cut or break the ribbon before the ribbon take-up spindle.

**Caution** • Do not cut the ribbon directly on the ribbon take-up spindle. Doing so may damage the spindle.

2. While holding the ribbon take-up spindle, turn the ribbon release knob to the left until it stops.

The ribbon release bars pivot down, easing the spindle's grip on the used ribbon.



3. Slide the used ribbon off of the ribbon take-up spindle and discard.

